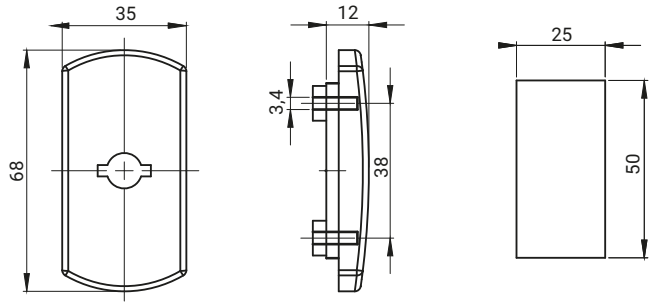


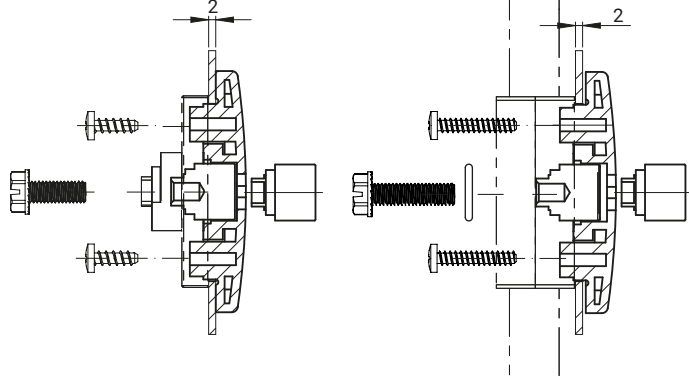


RW100.N

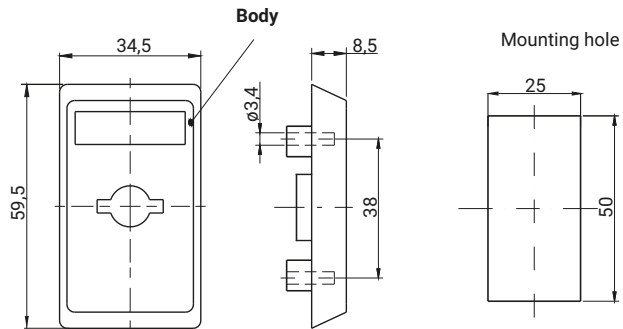


RW100.N
(Used with Cap)

RW100.M
(Used with Cogwheel mechanism)

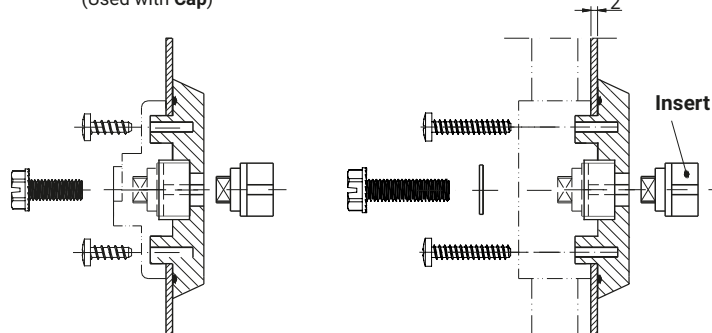


RW110.N

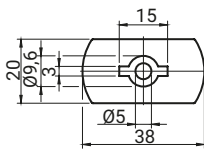


RW110.N ...
(Used with Cap)

RW110.M ...
(Used with Cogwheel mechanism)



1C.912.001



NOTE:
Additional components
of locks:

**RW100.N, RW100.M,
RW110.N, RW110.M,**
on pages: 1A-5, 1A-6.

Protective cover compatible with locks: RW100, RW110, RW400

TYPE OF LOCK	COMPONENTS	MATERIAL	FINISH [C]
			RAL 9005
RW100.N, RW100.M RW110.N, RW110.M	Body	Polyamide PA6 GF30	07
1C.912.001	Protective cover	Polyamide	07

How to order:

Type of lock

Finish

