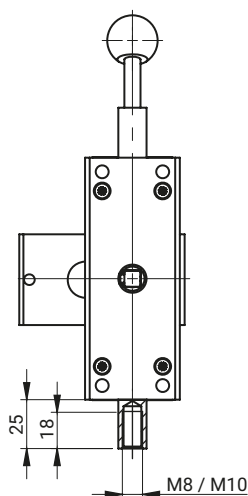
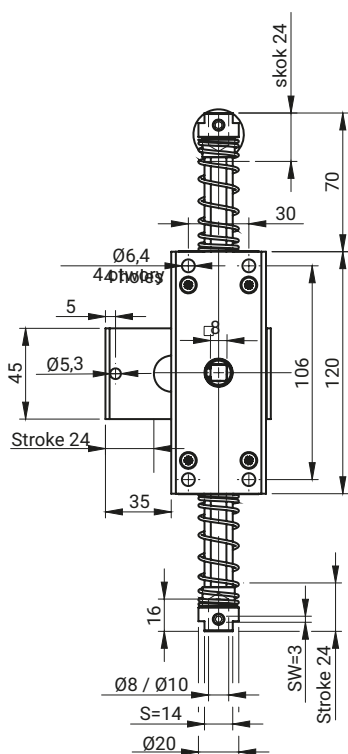


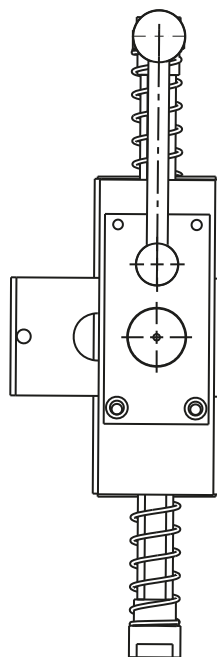
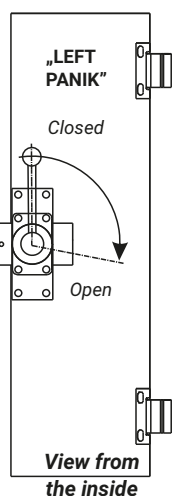
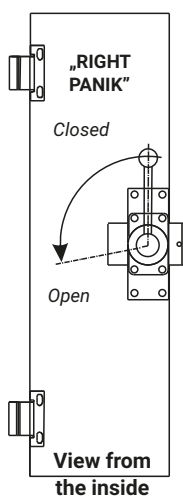
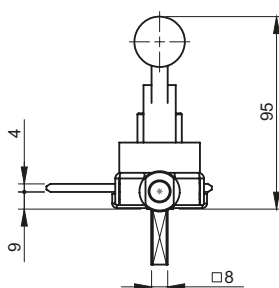
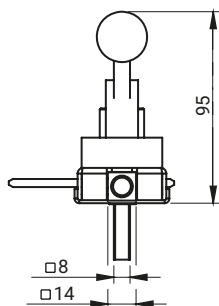
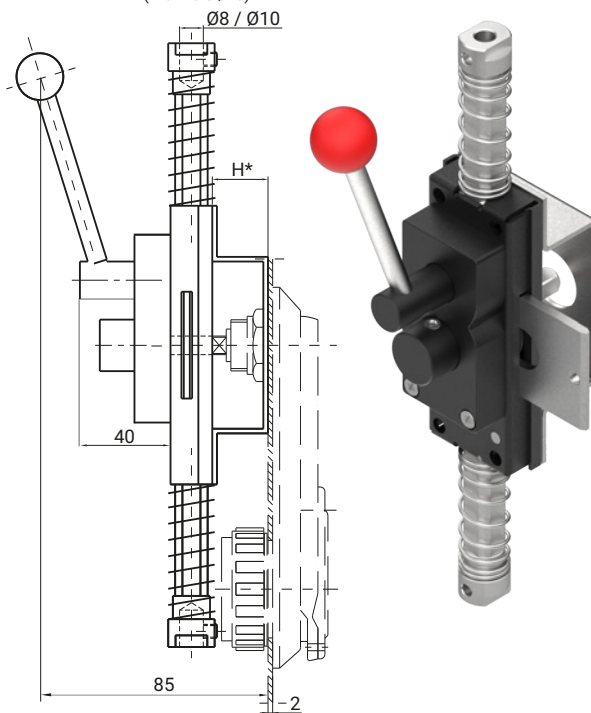
ZWPM8.002 **ZWPM10.002**
(with thread M8) (with thread M10)



ZWP8.002
(with hole Ø8)



ZWP10.002
(with hole Ø10)



NOTE:

- When ordering lock ZWP, you must define H dimension and version: left or right

NAME	MATERIAL
Internal lock panik ZWPM8.002	Steel zinc plated
Internal lock panik ZWPM10.002	
Internal lock panik ZWP8.002	
Internal lock panik ZWP10.002	
• When ordering you must define H dimension	