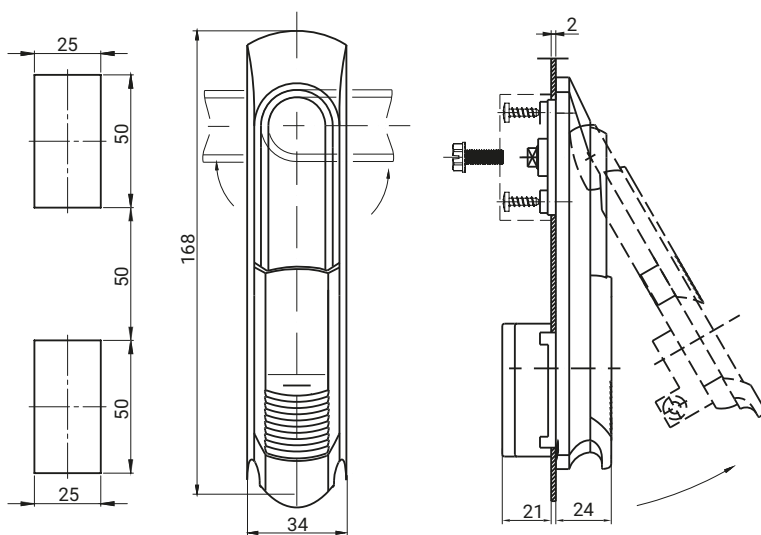
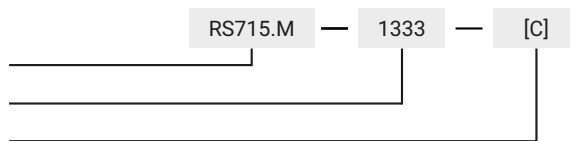


TYPE OF LOCK		VERSION			COMPONENTS		MATERIAL	
RS715.N		Cap 1C.902.001			Body, Handle		Polyamide	
RS715.M		Cogwheel mechanism MZ					Polyamide	
KEY CODE						FINISH [C]		
1333	405E	455E	1242E	2432E	RK	RAL 9005		RAL 7035
						07		08

How to order:

Type of lock
Key code
Finish



Cap 1C.902.001
page 1C-27

Cogwheel mechanism MZ
page 1C-30 do 1C-33



*possibility to make company logo on handle

TYPE OF LOCK		VERSION			COMPONENTS		MATERIAL	
RS716.N		Cap 1C.902.001			Body, Handle		Polyamide	
RS716.M		Cogwheel mechanism MZ					Polyamide	
PIN						FINISH [C]		
							RAL 9005	
D3	D5	T9	T10	KW8	S	N	07	
						07		08

How to order:

Type of lock
Pin type
Finish

