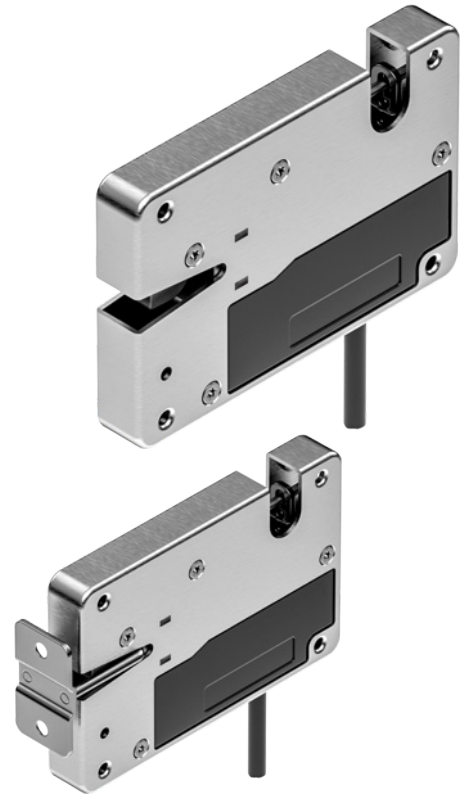
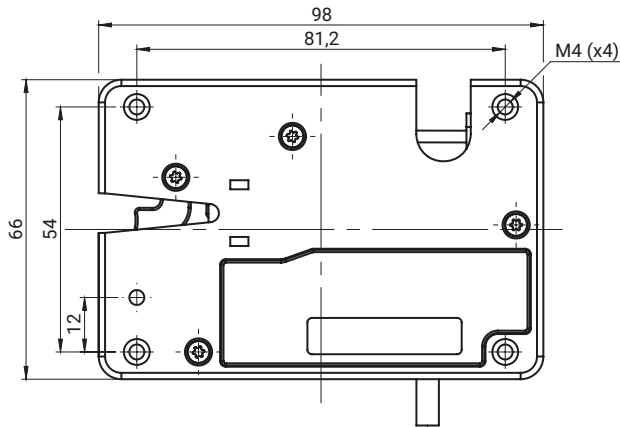
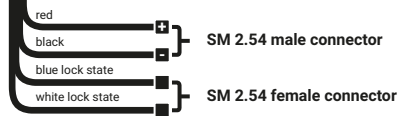


# Electronic lock with rotary mechanism 2.ZME1



### Connection diagram

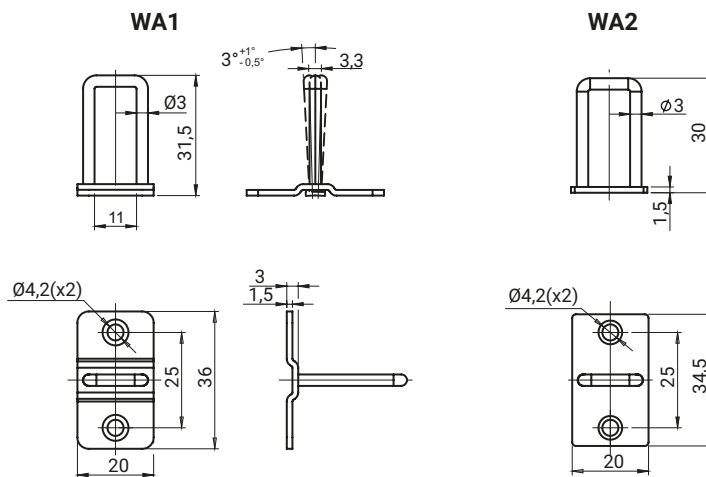


1. Wide operating voltage range: 8-24V
2. All electronic parts are protected in a sealed ABS housing (IP65)
3. Emergency opening
4. The maximum breaking force of 250 kg

### Technical details

- 8-24V DC power supply
- Working current 100 mA (DC)
- Working temperature -40°C ~ +75°C
- CE, ROHS & REACH

### Lock latches 2.ZME1



TYPE OF LOCK	LATCH VERSION	MATERIAL
2.ZME1.001	WA1	Stainless steel 304
2.ZME1.002	WA2	ABS