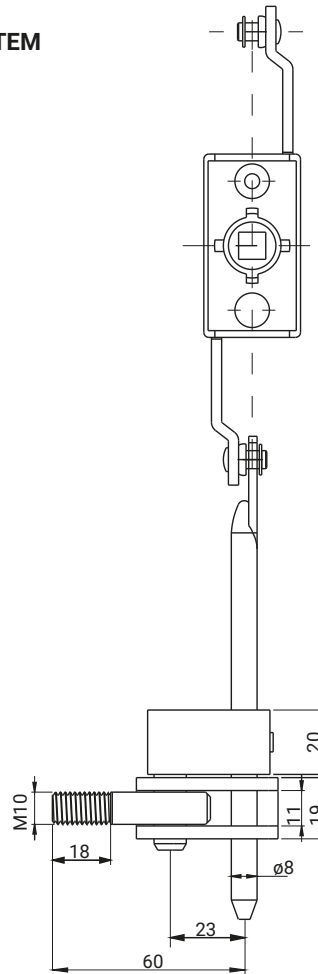
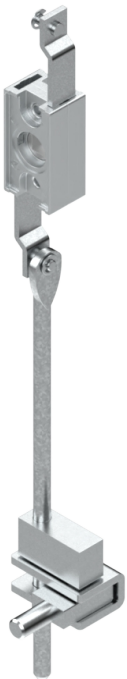
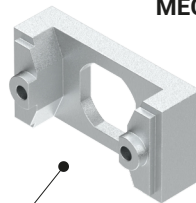


Rod strenghtening system, cogwheel mechanism distance

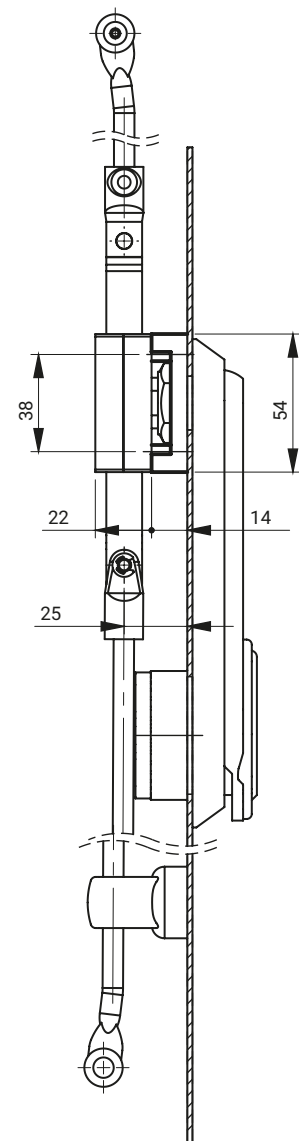
ROD STRENGHTENING SYSTEM



COGWHEEL MECHANISM DISTANCE



DISTANCE



CAT. NUMBER	NAME	MATERIAL
1C.911.001	Rod strenghtening system	Steel zinc plated
1C.910.001	Cogwheel mechanism distance	ZAMAK 5
* system cooperates with cogwheel mechanism MZ (pg 1C-28 - 1C-33)		