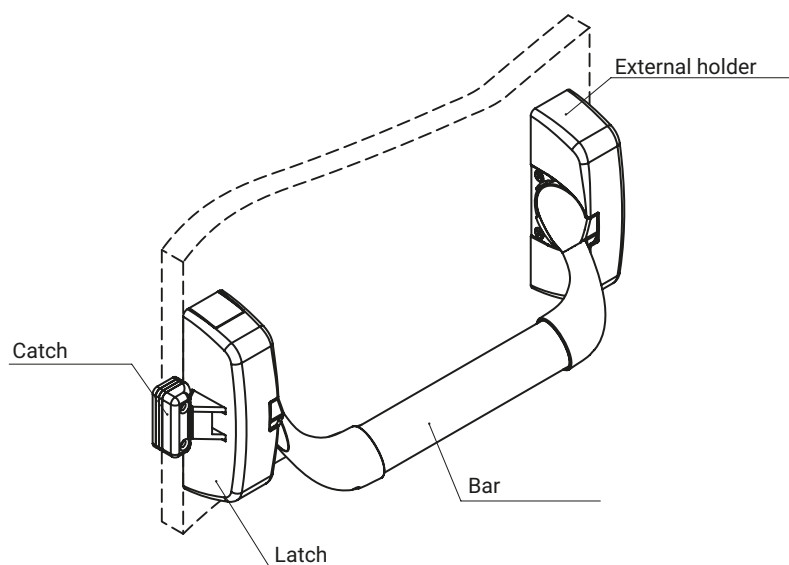
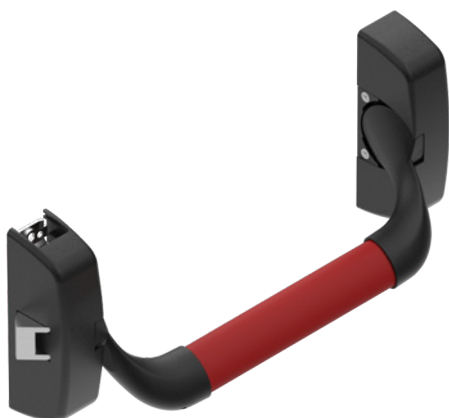
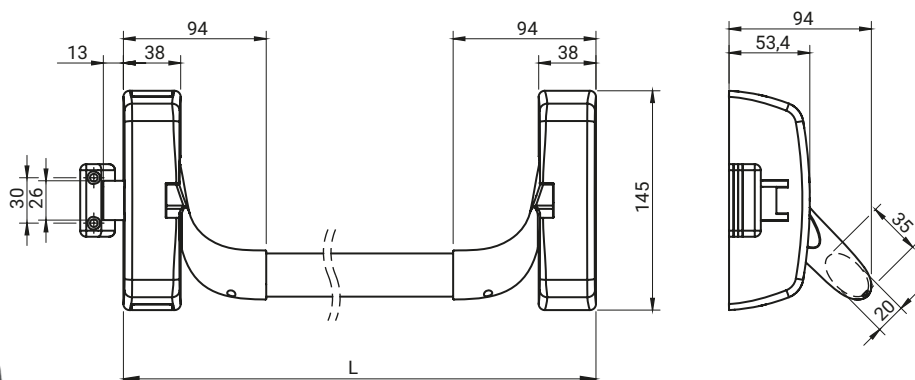


Anti-panic lock SINGLE-POINT HORIZONTAL LATCH



The set includes::

- horizontal latch
- external holder,
- horizontal bar (state size L at order)
- catch with a set of spacers

Accessories to be ordered separately:

- external holder 1B.ZA.201

Housings of lock and external holder, horizontal bar are made of ZAMAK
internal lock mechanism - galvanized steel ; bar, catch - powder-coated steel

CATALOGUE NUMBER	COMPONENTS	FINISH [C]		
		RAL 9005	RAL 7035	RAL 3020
1B.ZA.001	Horizontal latch	04	05	-
	External holder			
	Catch	04	05	12
	Horizontal bar			

How to order:
Catalogue number

Finish for a horizontal latch, external holder and a catch

Closure width

Finish for a horizontal bar

