

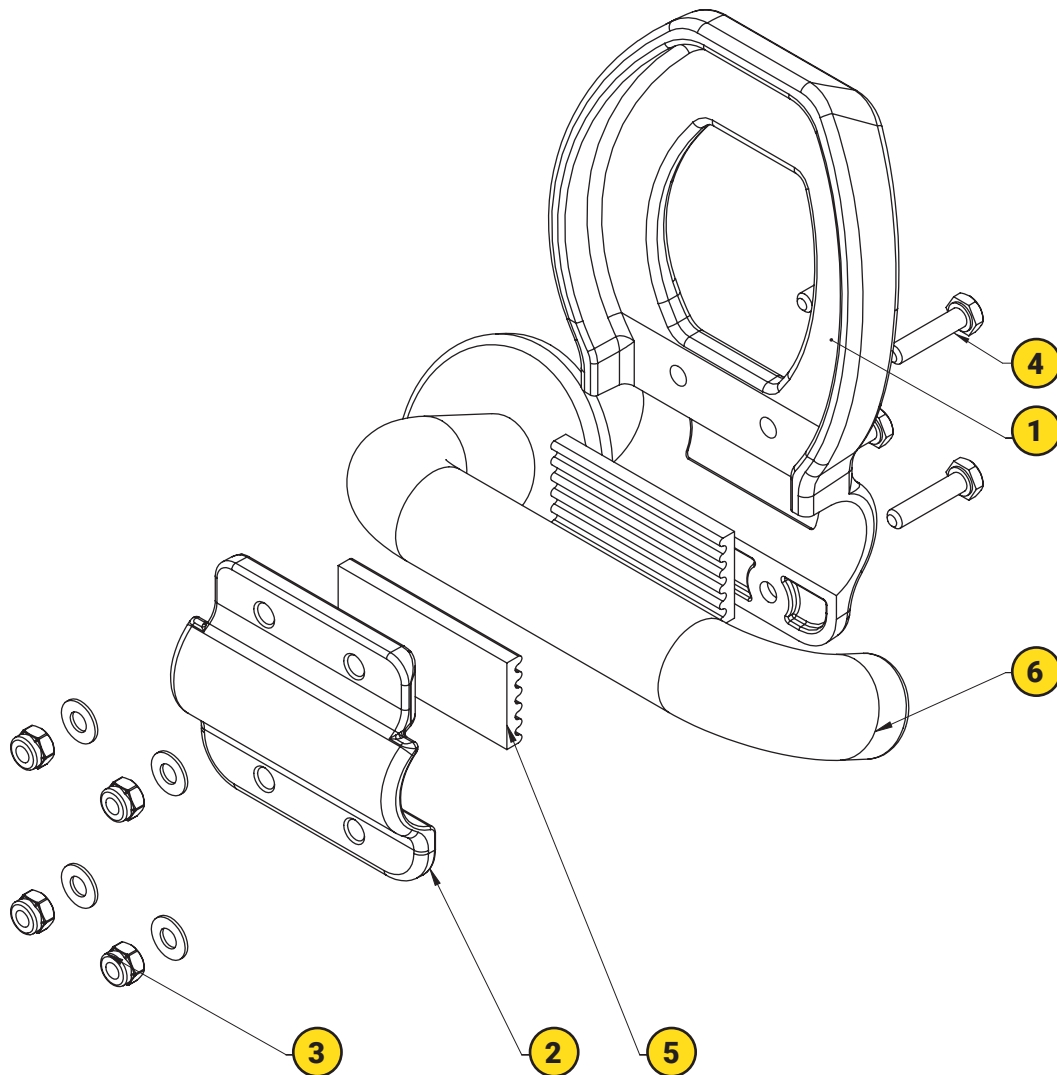


Hands-free door opener

The product allows you to open the door with your forearm, reducing the risk of direct contact with viruses and bacteria on the door handle. Door opener itself has an ergonomic shape and is very easy to install. It is used for handles with diameters from 19 to 22 mm. It may prove to be a valuable ally in the fight against COVID-19.

In order to disinfect the door opener, wipe it with a cloth moistened with ethanol.

CATALOGUE NO.	COMPONENTS	MATERIAL
4.550.001	Door opener part 1	Plastic
	Door opener part 2	Plastic
	Self-locking nut M4 DIN985	Stainless steel
	Washer M4 DIN125	Stainless steel
	Hexagonal headed screw M4 DIN933	Stainless steel
	Non-slip pad	EPDM

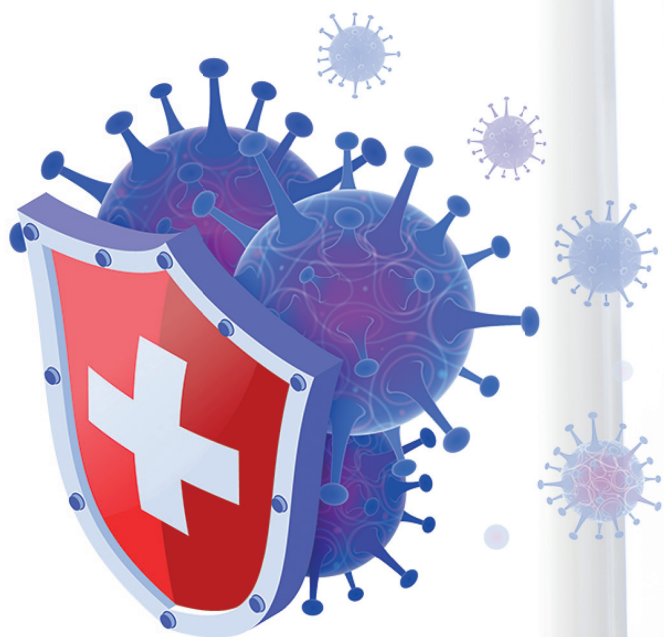


ASSEMBLY INSTRUCTION

(Elements necessary for the assembly: **Flat or socket wrench 7mm**)

1. Clean and degrease the handle **6**
2. On the inside surface of the parts **1** and **2** stick self-adhesive pad **5**
3. Place the door opener on the handle **1** with the logo facing you
4. Mount the door opener **2** on the handle **6**
5. Pre-tighten the door opener with the screws **3** **4** available in the set
6. Set the position of the door opener against the door (so that the forearm can be freely inserted into the space between the handle and the door)
7. Tighten the screws until the door-opener is fixed

STOP COVID-19
DON'T RISK IT - PREVENT IT



New



Hands-free door opener

The sanitary door opener 4.550.001 allows to open the door using the forearm and **reduces the risk of direct contact with viruses and bacteria** on the door handles. It has an ergonomic shape and it is easy to assemble.

Used for round handles with diameters from 19 to 22 mm.

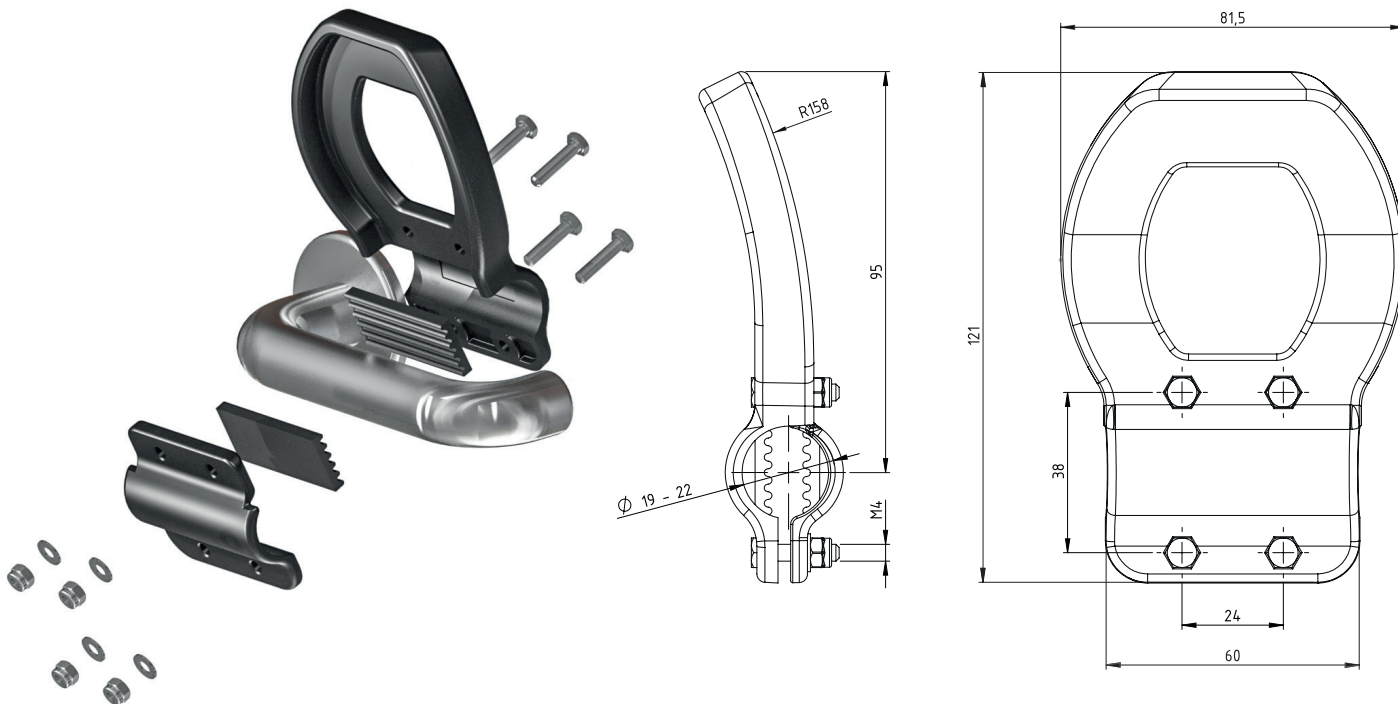


Sanitary door opener 4.550.001

More information: www.roztocze.eu

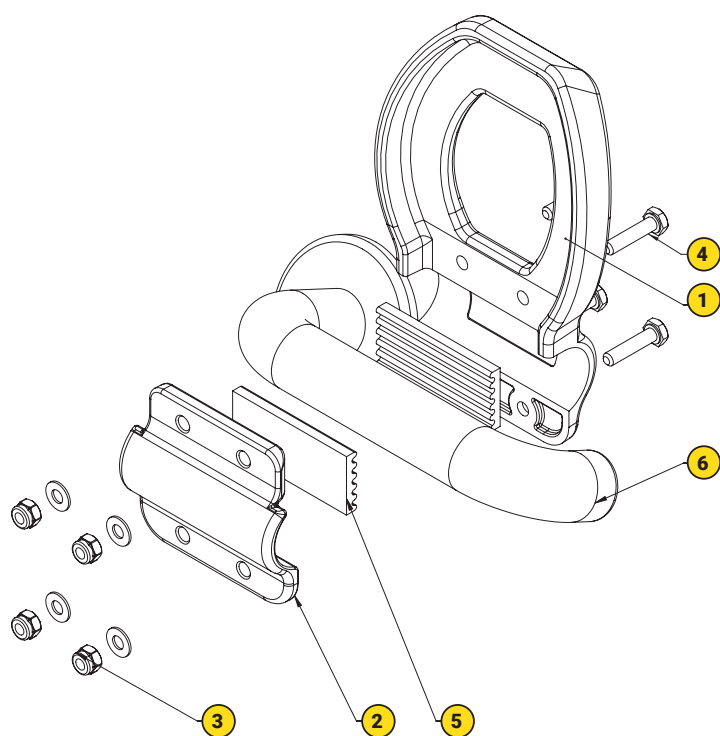


ROZTOCZE



CATALOGUE NO.	COMPONENTS	MATERIAL
4.550.001	Door opener part 1	Plastic
	Door opener part 2	Plastic
	Self-locking nut M4 DIN985	Stainless steel
	Washer M4 DIN125	Stainless steel
	Hexagonal headed screw M4 DIN933	Stainless steel
	Non-slip pad	EPDM

In order to disinfect the door opener, wipe it with a cloth moistened with ethanol.



ASSEMBLY INSTRUCTION

(Elements necessary for the assembly: Flat or socket wrench 7mm)

1. Clean and degrease the handle **6**
2. On the inside surface of the parts **1** and **2** stick self-adhesive pad **5**
3. Place the door opener on the handle **1** with the logo facing you
4. Mount the door opener **2** on the handle **6**
5. Pre-tighten the door opener with the screws **3** **4** available in the set
6. Set the position of the door opener against the door (so that the forearm can be freely inserted into the space between the handle and the door)
7. Tighten the screws until the door-opener is fixed



ROZTOCZE
www.roztocze.eu

ROZTOCZE Zakład Usługowo Produkcyjny Sp. z o. o.
ul. Zamojska 42A, 22-600 Tomaszów Lubelski, Poland
Phone: +48 84 664 35 02 rst@roztocze.eu
www.roztocze.eu

